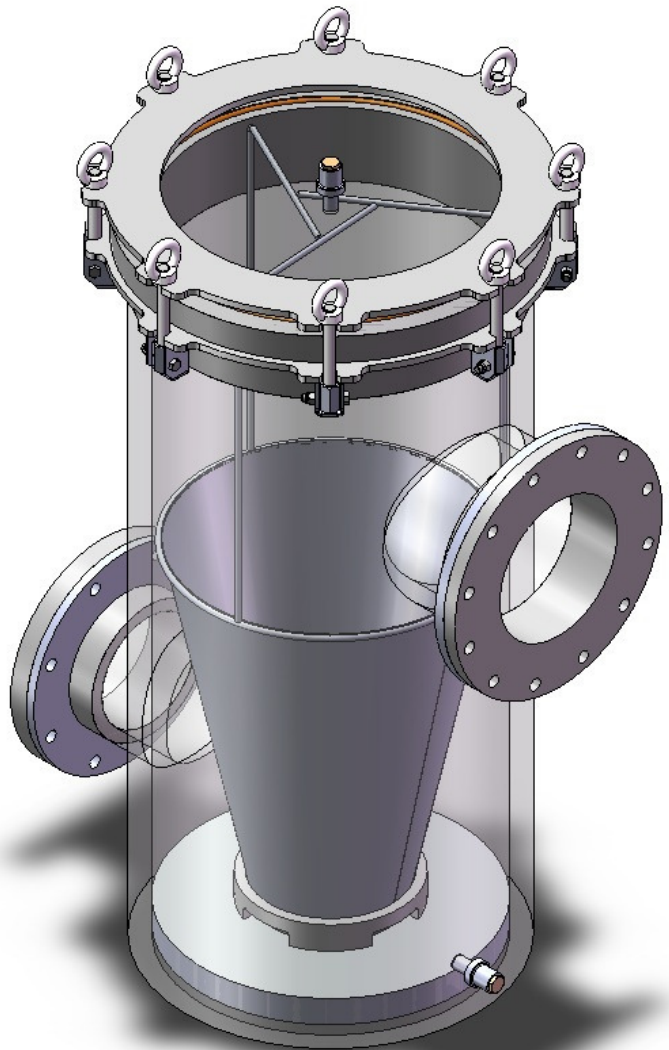


# *Poly Leaf & Lint Basket Strainers*

## *Features*

- *Body Constructed from tough HDPE*
- *Stainless steel punched screen strainer basket – electro-polished for additional corrosion resistance*
- *Safe and easy to use toggle eye bolt lid retainers*
- *Custom inlet & outlet flanges sized to suit each Installation*
- *Sizes range from 15 to 150 litres per second*



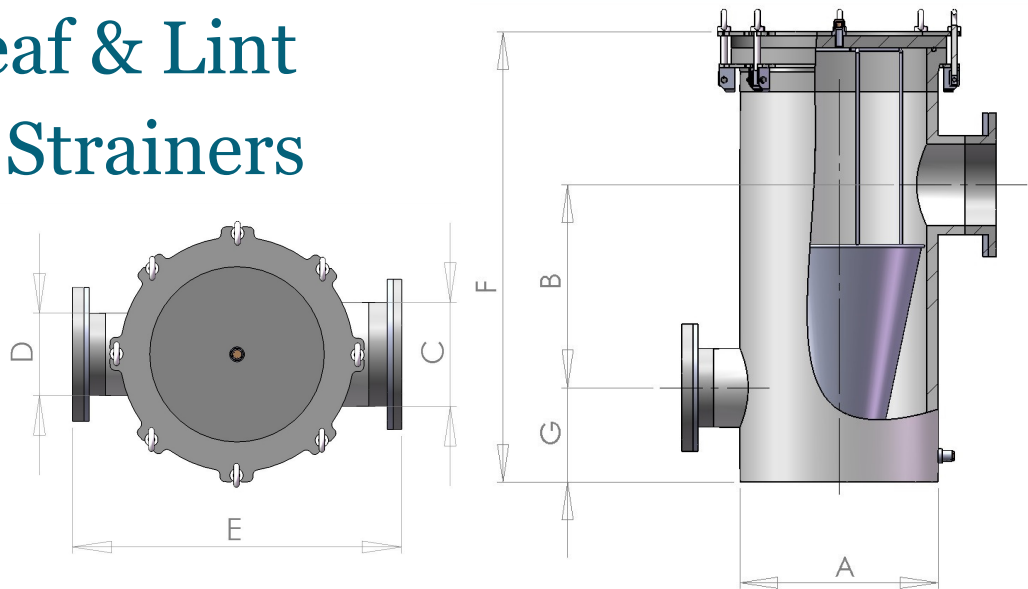
Manufactured by  
JAG Poly Pty Ltd  
unit 6 272 Lavarack Ave  
Pinkenba QLD 4008  
Australia

Phone: +61(7) 32602225  
Fax: +61(7) 32602228  
E-mail: [enquiries@jagpoly.com.au](mailto:enquiries@jagpoly.com.au)

Registered Design No. 335479



# Poly Leaf & Lint Basket Strainers



Technical Data					
Strainer	LLP15	LLP30	LLP50	LLP100	LLP150
Flow Range- litres / second	0 to 15	15 to 30	30 to 50	50 to 100	100 to 150
Dimensions (mm)					
A	280	315	400	500	630
B	240	500	550	550	645
C*	90/110	110/160	160/200	225/280	280/315
D*	90/110	110/160	160/200	225/280	280/315
E	550	570	750	900	1000
F	600	1000	1100	1160	1380
G	150	200	225	250	300

\* Note: Inlet and Outlet sizes can be fitted to suit application

- **Strainer basket made from 304 grade Stainless steel perforated sheet**
- **Electro-polished finish**
- **Mesh size- 4.75mm dia hole x 6.35mm pitch**
- **Multiple inlets and Outlets can be fitted with flanged drilled to Table D, E, Din or ANSI #150**
- **Outlet height can be varied to suit pump suction**

Phone: +61(7) 32602225

Fax: +61(7) 32602228

E-mail: [enquiries@jagpoly.com.au](mailto:enquiries@jagpoly.com.au)

